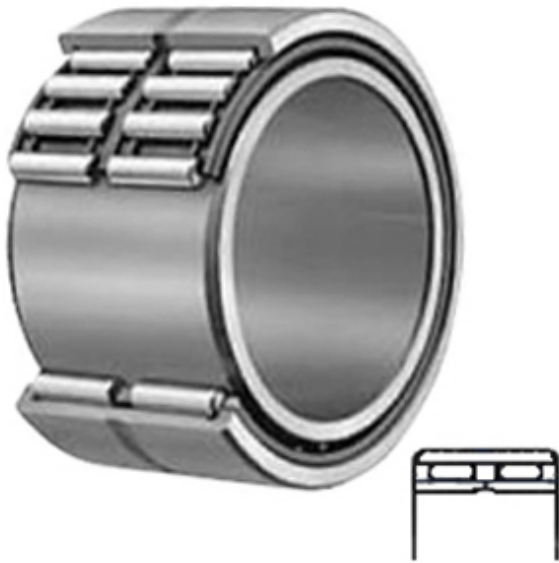




# SGL BEARING- EUROPE LTD.



1.969 Inch | 50 Millimeter x 2.677 Inch | 68  
 Millimeter x 1.575 Inch | 40 Millimeter  
**CONSOLIDATED BEARING NAO-50 X 68 X 40**  
 Needle Non Thrust Roller Bearings

Bearing No. NAO-50 X 68 X 40

NAO-50 X 68 X 40 Bearing 2D drawings and 3D CAD models

Category	Needle Non Thrust Roller Bearings
Inventory	0.0
Manufacturer Name	CONSOLIDATED BEARING
Minimum Buy Quantity	N/A
Weight	0.45
EAN	0644075079914
Product Group	B04144
Rolling Element	Needle Roller Bearing
Component	Complete with Outer and Inner Ring
Enclosure	Open
Self Aligning	No
Retainer	Yes
Number of Rows of Rollers	Double Row
Separable	Inner/Outer Ring - Both Sides
Closed End	No
Inch - Metric	Metric
Relubricatable	Yes
Thrust Bearing	No
Long Description	50MM Bore; 68MM Outside Diameter; 40MM Width; Needle Roller Bearing; Complete with



## SGL BEARING- EUROPE LTD.

	Outer and Inner Ring; Open Enclosure; No Self Aligning; Retainer; Double Row of Rollers; Inner/Outer Ring - Both Side
Other Features	Plain Inner Ring   Plain Outer Ring   Oil Hole in Outer Ring
Category	Needle Non Thrust Roller Bearing
UNSPSC	31171512
Harmonized Tariff Code	8482.40.00.00
Noun	Bearing
Keyword String	Needle
Manufacturer URL	<a href="http://www.consbrgs.com">http://www.consbrgs.com</a>
Manufacturer Item Number	NAO-50 X 68 X 40
Weight / LBS	1
B	1.575 Inch   40 Millimeter
D	2.677 Inch   68 Millimeter
d	1.969 Inch   50 Millimeter